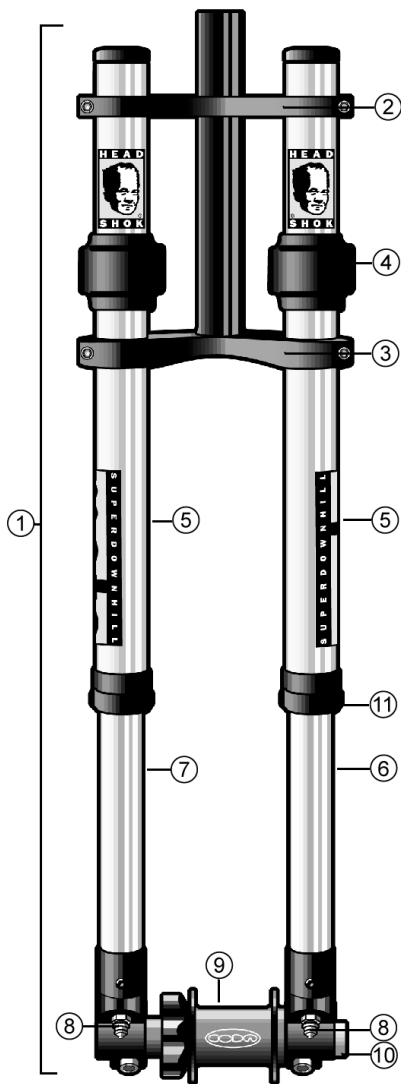




## MOTO 120 FORK ASSEMBLY



### Original Cartridge

Moto 120 oil damper page 3.14

Moto 120 Dummy page 3.14

	Item#	Description	
1	HDFM120/GLD	HeadShok Moto 120, 1" /18 with Coda Moto hub	
2	HD106/	Standard top crown kit Moto 120	
3	HD107/	Bottom crown / steerer kit Moto 120	
4	HD215/	Lefty / Moto frame bumper, package of one	
5	HD126/	Stanchion assembly Moto 120	
6	HDW123/	Slider drop out, left side	
7	HDW124/	Slider drop out, right side	
8	HD108/	Schraeder valve	
9	QFHB120/36	Hub front Coda Moto 120, 36H	
10	104730	Axle for Moto hub	
11	105391	Seals fork tubes, 2x	
	HD105/	Gullwing top crown	
	HD139/	Stanchion bushings	

